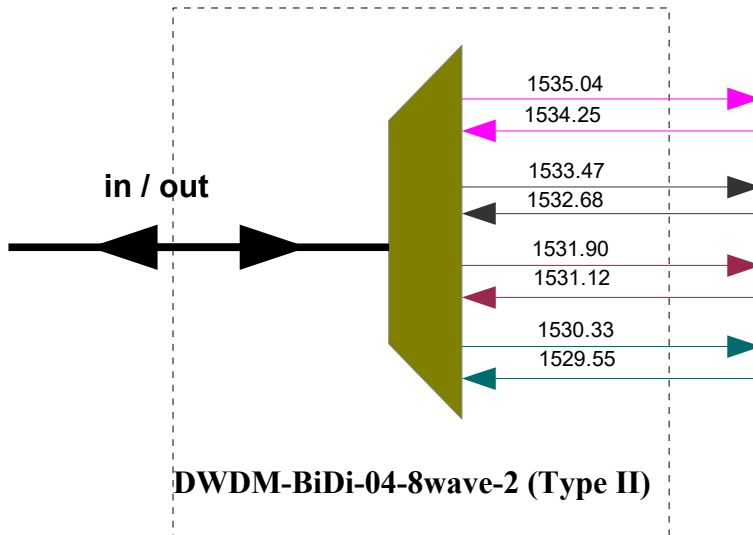


DWDM мультиплексор/демультиплексор, одно волокно, 4 канала, 8 длин волн с 1529.55нм по 1535.04нм, Type 2, LC



Performance:

Parameter	
Operating Wavelength	Out: 1535.04, 1533.47, 1531.90, 1530.33 In: 1534.25, 1532.68, 1531.12, 1529.55
Channel Number	4 Channel, 8 wavelengths. ITU 100 GHz Grid, C60-C53 channels
Fiber Type	SM ITU-T G.655/G.652
Channel spacing	0.8nm
Center Wavelength Accuracy	±0.05 nm
Bandwidth @ -0.5dB	≥ 0.22
Insertion Loss	≤ 2.8 dB
Channel Uniformity (dB)	≤ 1 dB
Isolation Adjacent (dB)	25 dB
Isolation Non-adjacent (dB)	35 dB
Insertion Loss Temperature Sensitivity (dB/°C)	≤ 0.005
Wavelength Temperature Shifting(nm/°C)	≤ 0.002
Polarization Dependent Loss (dB)	≤ 0.15
Polarization Mode Dispersion (ps)	≤ 0.1
Directivity (dB)	≥ 50

Return Loss (dB)	≥ 45
Optical Power Handling	≥ 300 mW
Operating Temperature	0 to +60°C
Storage Temperature	-30 to +85°C
Connector Type	4 pcs LC/UPC duplex + 1 pcs LC/UPC simplex adaptors
Packaging Dimension	19" 1U-height Patch panel type