

SFP-1.25G-BiDi3.60-DI

Особенности:

- Industrial: -40°C ~ +85°C
- 1310nm DFB лазер + PIN фотоприемник
- возможность горячей замены
- LC разъем
- Digital diagnostic monitor interface (DDMI)
- соответствие спецификации SFP MSA и SFF-8472



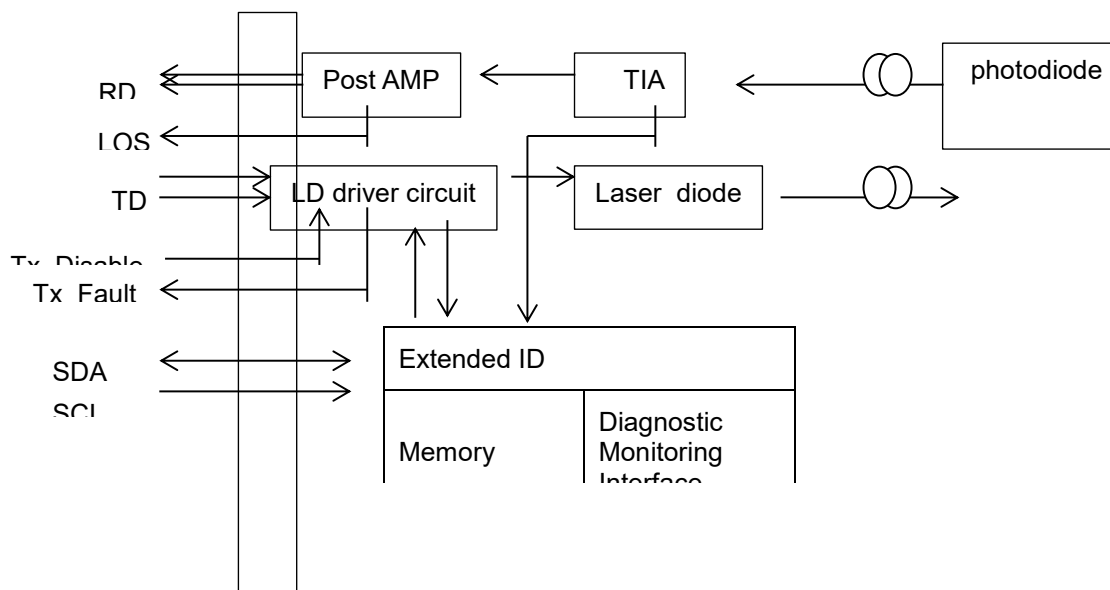
Области применения:

- Gigabit Ethernet 1000Base-LX
- ATM
- SONT/SDH/PDH
- FDDI
- Fiber Channel

Normal operating condition

Parameter	Symbol	Min	Typ	Max	Units	Ref.
Operating Case Temperature	Top	-40		85	°C	Industrial
Supply Voltage	Vcc	3.15	3.3	3.45	V	

Функциональная схема:



SFP-1.25G-BiDi3.60-DI

Performance Specifications - Electrical

Parameter	Symbol	Min.	Typ.	Max	Unit	Notes
Transmitter						
LVPECL Inputs(Differential)	Vin	400		2000	mVpp	AC coupled inputs*(note5)
Input Impedance (Differential)	Zin	85	100	115	ohm	Rin > 100 kohm @ DC
TX_Dis	Disable	2		Vcc+0.3	V	
	Enable	0		0.8		
TX_FAULT	Fault	2		Vcc+0.3	V	
	Normal	0		0.5		
Receiver						
LVPECL Outputs (Differential)	Vout	400		2000	mVpp	AC coupled outputs*(note5)
Output Impedance (Differential)	Zout	85	100	115	ohm	
RX_LOS	LOS	2		Vcc+0.3	V	
	Normal	0		0.8	V	
MOD_DEF (0:2)	VoH	2.5			V	With Serial ID
	VoL	0		0.5	V	

Optical and Electrical Characteristics

Parameter	Symbol	Min.	Typical	Max.	Unit
9µm Core Diameter SMF	L		60		km
Data Rate			1063/1250		Mbps
Transmitter					
Center Wavelength	λ_c	1290	1310	1330	nm
Spectral Width (RMS)	$\Delta\lambda$			3.5	nm
Average Output Power*(note3)	Pout	0		+5	dBm
Extinction Ratio @ 1250Mbps	ER	8.2			dB
Rise/Fall Time(20%~80%)	tr/tf			0.26	ns
Total Jitter	TJ			260	ps
Output Optical Eye*(note4)	Compliant with IEEE 802.3z*(note7)				
TX_Disable Assert Time	t_off			10	us
Pout@TX Disable Asserted	Pout			-45	dBm
Receiver					
Center Wavelength	λ_c	1480	1550	1580	nm
Receiver Sensitivity*(note6)@1250Mbps	Pmin			-24	dBm
Receiver Overload	Pmax	-3			dBm
LOS De-Assert@1250Mbps	LOSD			-25	dBm
LOS Assert	LOSA	-35			dBm
LOS Hysteresis*(note8)		0.5			dB

Pin Function Definitions

Pin NO.	Name	Function	Plug Seq.	Notes
1	VeeT	Transmitter Ground	1	5)
2	TX Fault	Transmitter Fault Indication	3	1)
3	TX Disable	Transmitter Disable	3	2) Module disables on high or open
4	MOD-DEF2	Module Definition 2	3	3) Data line for Serial ID.
5	MOD-DEF1	Module Definition 1	3	3) Clock line for Serial ID.

SFP-1.25G-BiDi3.60-DI

6	MOD-DEF0	Module Definition 0	3	3) Grounded within the module.
7	Rate Select	Not Connect	3	Function not available
8	LOS	Loss of Signal	3	4)
9	VeeR	Receiver Ground	1	5)
10	VeeR	Receiver Ground	1	5)
11	VeeR	Receiver Ground	1	5)
12	RD-	Inv. Received Data Out	3	6)
13	RD+	Received Data Out	3	6)
14	VeeR	Receiver Ground	1	5)
15	VccR	Receiver Power	2	7) 3.3 ± 5%
16	VccT	Transmitter Power	2	7) 3.3 ± 5%
17	VeeT	Transmitter Ground	1	5)
18	TD+	Transmit Data In	3	8)
19	TD-	Inv. Transmit Data In	3	8)
20	VeeT	Transmitter Ground	1	5)

1) TX Fault is an open collector/drain output, which should be pulled up with a 4.7K – 10KΩ resistor on the host board. Pull up voltage between 2.0V and VccT, R+0.3V. When high, output indicates a laser fault of some kind. Low indicates normal operation. In the low state, the output will be pulled to < 0.8V.

2) TX disable is an input that is used to shut down the transmitter optical output. It is pulled up within the module with a 4.7 – 10 KΩ resistor. Its states are:

Low (0 – 0.8V): Transmitter on

(>0.8, < 2.0V): Undefined

High (2.0 – 3.465V): Transmitter Disabled

Open: Transmitter Disabled

3) Modulation Absent, connected to VEET or VEER in the module.

4) LOS (Loss of Signal) is an open collector/drain output, which should be pulled up with a 4.7K – 10KΩ resistor. Pull up voltage between 2.0V and VccT, R+0.3V. When high, this output indicates the received optical power is below the worst-case receiver sensitivity (as defined by the standard in use). Low indicates normal operation. In the low state, the output will be pulled to < 0.8V.

5) VeeR and VeeT may be internally connected within the SFP module.

6) RD-/+ : These are the differential receiver outputs. They are AC coupled 100Ω differential lines which should be terminated with 100Ω (differential) at the user SERDES. The AC coupling is done inside the module and is thus not required on the host board.

7) VccR and VccT are the receiver and transmitter power supplies. They are defined as 3.3V ±5% at the SFP connector pin. Maximum supply current is 300mA. Recommended host board power supply filtering is shown below. Inductors with DC resistance of less than 1 ohm should be used in order to maintain the required voltage at the SFP input pin with 3.3V supply voltage. When the recommended supply-filtering network is used, hot plugging of the SFP transceiver module will result in an inrush current of no more than 30mA greater than the steady state value. VccR and VccT may be internally connected within the SFP transceiver module.

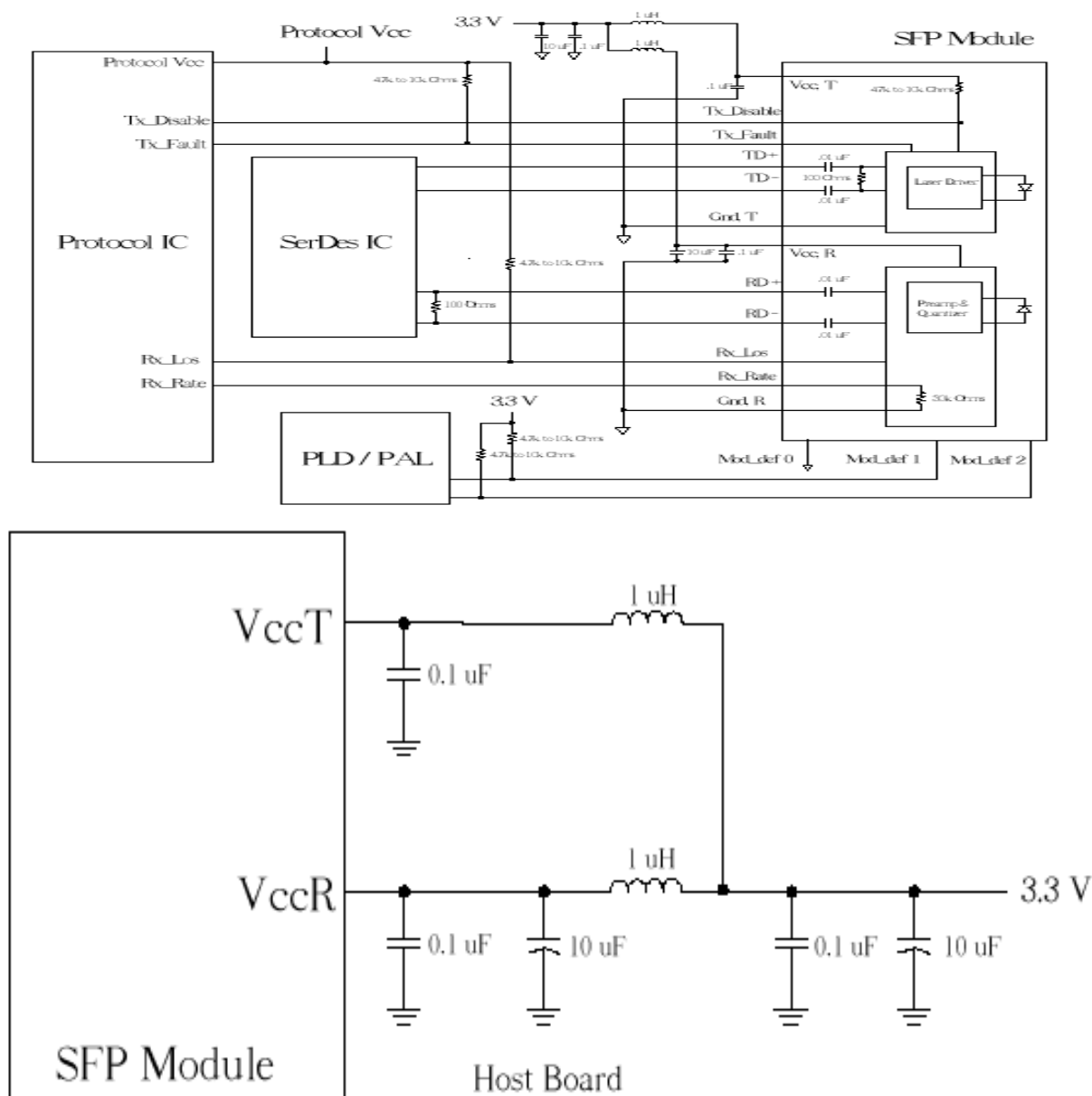
8) TD-/+ : These are the differential transmitter inputs. They are AC-coupled, differential lines with 100Ω differential termination inside the module. The AC coupling is done inside the module and is thus not required on the host board.

The serial interface uses the 2-wire serial CMOS EEPROM protocol defined for the ATMEL AT24C02/04 family of components. When the serial protocol is activated, the host generates the serial clock signal (SCL). The positive edge clocks data into those segments of the EEPROM that are not write protected within the SFP transceiver. The negative edge clocks data from the SFP transceiver. The serial data signal (SDA) is bi-directional for serial data transfer. The host uses SDA in conjunction with SCL to mark the start and end of serial protocol activation. The memories are organized as a series of 8-bit data words that can be addressed individually or sequentially.

The Module provides diagnostic information about the present operating conditions. The transceiver generates this diagnostic data by digitization of internal analog signals. Calibration and alarm/warning threshold data is written during device manufacture. Received power monitoring, transmitted power monitoring, bias current monitoring, supply voltage monitoring and temperature monitoring all are implemented. If the module is defined as external calibrated, the diagnostic data are raw A/D values and must be converted to real world units using calibration constants stored in EEPROM locations 56 – 95 at wire serial bus address A2H. The digital diagnostic memory map specific data field define as following .For detail EEPROM information, please refer to the related document of SFF 8472 Rev 9.3.

SFP-1.25G-BiDi3.60-DI

Рекомендованная схема включения:



Описание контактов (PIN):

Pin Name	PIN	Name/Function
GNDR	9, 10, 11, 14	Receiver Ground
VCCR	15	Receiver Supply Voltage. They are defined as $+3.3V \pm 5\%$ at the SFP connector pin. Recommended host board power supply filtering is shown below. The DC resistance of inductor is less than 1Ω , which result in maintaining the required voltage at the SFP input pin with $+3.3V$ supply voltage.
RD-	12	Receiver Data, Differential Output. They are AC coupled 100Ω differential lines which should be terminated with 100Ω at the user SERDES. The AC coupling is done inside the module and is thus not required on the host board. The voltage swing on these lines will be between $370mV$ and $2000mV$ differential when properly terminated.
RD+	13	Receiver Data, Differential Output. They are AC coupled 100Ω differential lines which should be terminated with 100Ω at the user SERDES. The AC

SFP-1.25G-BiDi3.60-DI

		coupling is done inside the module and is thus not required on the host board. The voltage swing on these lines will be between 370mV and 2000mV differential when properly terminated.
LOS	8	Receiver Loss of Signal, logic high, open collector compatible, 4.7K to 10K Ohm pull up to VCCR on host
Rate Select	7	NC.
GNDT	1, 17, 20	Transmitter Ground
VCCT	16	Transmitter Supply Voltage. They are defined as $+3.3V \pm 5\%$ at the SFP connector pin. Recommended host board power supply filtering is shown below. The DC resistance of inductor is less than 1Ω , which result in maintaining the required voltage at the SFP input pin with +3.3V supply voltage.
TD+	18	Transmit Data, Differential Input. They are AC coupled 100Ω differential lines which should be terminated with 100Ω inside the module. The AC coupling is done inside the module and is thus not required on the host board.
TD-	19	Transmit Data, Differential Input. They are AC coupled 100Ω differential lines which should be terminated with 100Ω inside the module. The AC coupling is done inside the module and is thus not required on the host board.
TX_Disable	3	Transmitter Disable, logic high, open collector compatible, 4.7K to 10K Ohm pull up to VCCT on SFP. The pin is used to shut down the transmitter optical output. High is transmitter Disabled, Low is transmitter on.
TX_Fault	2	Transmitter Fault, logic high, open collector compatible, 4.7K to 10K Ohm pull up to VCCT on host. When high, output indicates a laser fault of some kind. Low indicates normal operation.
MOD_DEF0	6	SFP module definition and presence, bit 0, 4.7K to 10K Ohm pull up to VCCT on host. The pin is grounded by the module to indicate that the module is present.
MOD_DEF1	5	SFP module definition and presence, bit 1, 4.7K to 10K Ohm pull up to VCCT on host. The pin is the clock line of two wire serial interface for serial ID
MOD_DER 2	4	SFP module definition and presence, bit 2, 4.7K to 10K Ohm pull up to VCCT on host. The pin is the data line of two wire serial interface for serial ID.

Описание EEPROM:

WDM SFP модуль содержит EEPROM. Это обеспечивает доступ к информации о идентификации, которая описывает способности модуля, стандарты интерфейса, наименование производителя и код модели. Последовательный интерфейс использует 2-х проводной последовательный CMOS EEPROM протокол, определенный для ATMEL AT24C01A/02/04 семейства микросхем. Когда последовательный протокол активизирован, Host производит последовательный сигнал Clock (SCL MOD_DEF1). Положительный сигнал clock data позволяет выбрать сегмент не защищенного от записи EEPROM в пределах памяти SFP модуля. Отрицательный сигнал позволяет считывать данные с SFP модуля. Последовательный сигнал данных (SDA MOD_DEF2) двунаправленный для последовательного протокола. Организация памяти – последовательные 8-и битовые слова, которые могут быть адресованы индивидуально или последовательно.

SFP-1.25G-BiDi3.60-DI

Mechanical Specifications

